

Mathe mit Mieze Mia

Mia rechnet am Fenster - 4

Ein Heft von _____

Löse die Fenster



6

A collection of math problems arranged like windows. Each window is a square divided into four smaller squares. Some windows have numbers in some of their panes, while others are empty. The numbers are: 888, 726, 56, 325, 277, 524, 824, 376, 482, 197, 83, and 777. There are also several empty square boxes scattered around the windows.



So geht es

1

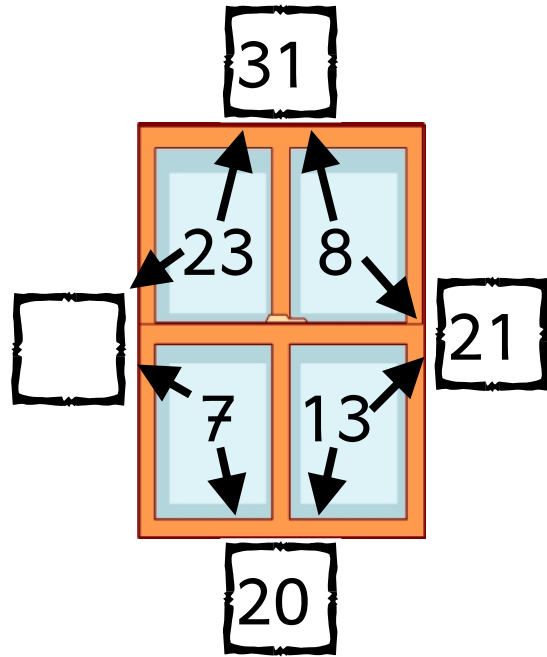
Nanu, was ist denn das?
In Mias Fenstern stehen ja Zahlen.

In jeder Ecke des Fensters steht eine Zahl.

Die Summe von zwei Fensterecken kommt dann in das schwarze Kästchen neben dem Fenster.

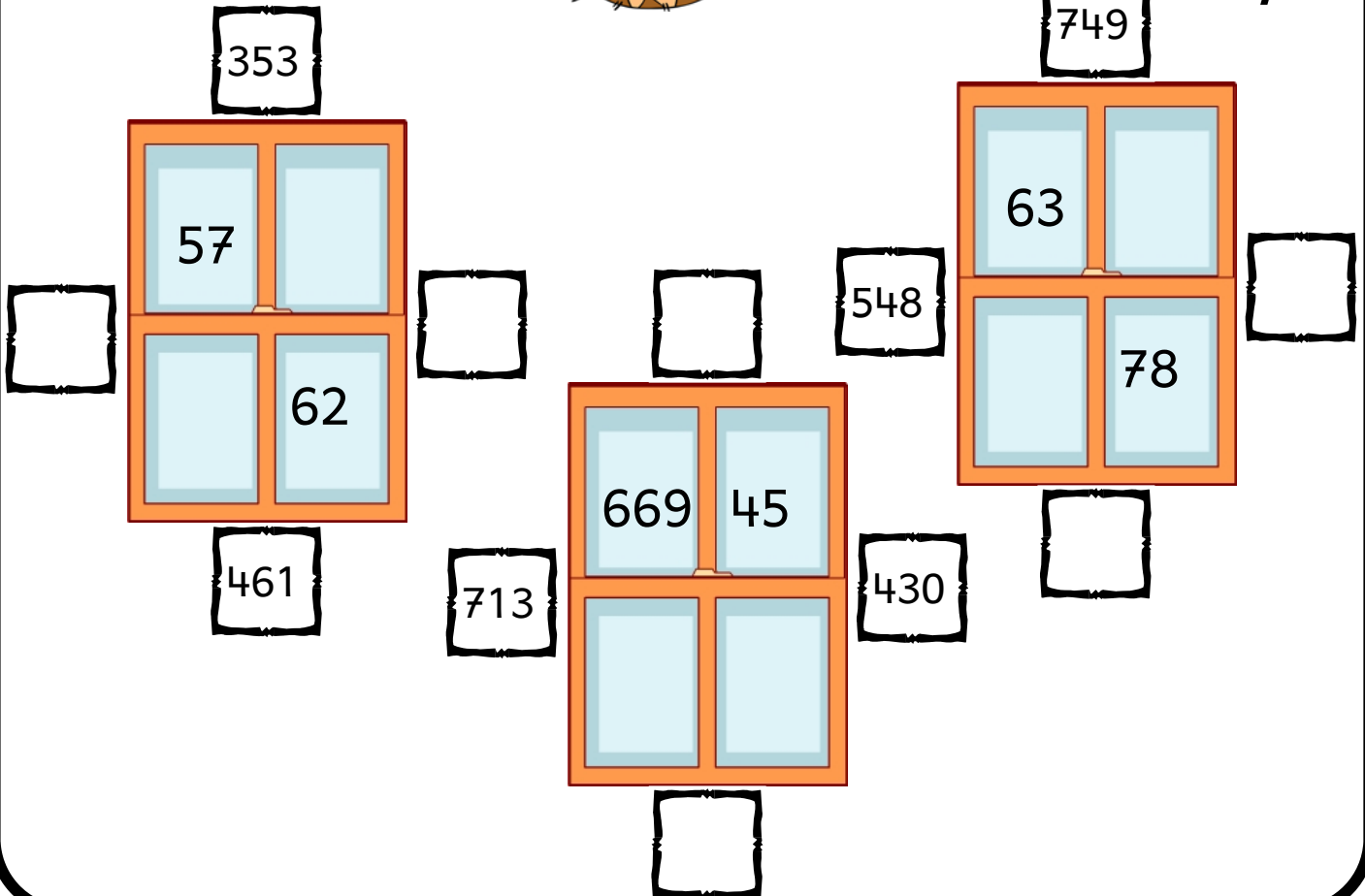
Eigentlich ganz einfach, oder?

Du weißt bestimmt schon, welche Zahl in das leere Kästchen kommt, oder?



Löse die Fenster

7



Löse die Fenster



2

Diagram 1: A house with three windows and several empty boxes for numbers.

- Top window: $760 + 80$
- Middle window: $90 + 330$
- Bottom window: $540 + 70$
- Right window: $520 + 90$ (top) and $80 + 170$ (bottom)

Empty boxes are located at: top, left, right, bottom, and between the windows.

Löse die Fenster



8

Diagram 2: A house with three windows and several boxes containing numbers.

- Top window: 616
- Middle window: 564 (left), 378 (right)
- Bottom window: 503 (top), 447 (bottom)
- Right window: 746 (top), 432 (right), 418 (bottom)

Empty boxes are located at: left, right, bottom, and between the windows.

Löse die Fenster



3

Activity 1: Löse die Fenster. A house-shaped grid with three windows. The top window is empty. The middle window contains the numbers 698 and 20 in the top-left and top-right panes, and 40 and 388 in the bottom-left and bottom-right panes. The bottom window contains 670 and 58 in the top-left and top-right panes, and 36 and 880 in the bottom-left and bottom-right panes. To the right of the house is another window with 423 and 90 in the top-left and top-right panes, and 80 and 555 in the bottom-left and bottom-right panes. There are 12 empty square boxes around the house: one above, one below, one to the left, one to the right, and one between each of the three windows.

Erfinde eigene Fenster!



9

Activity 2: Erfinde eigene Fenster! A house-shaped grid with three empty windows. There are 12 empty square boxes around the house: one above, one below, one to the left, one to the right, and one between each of the three windows. A hammer and wrench icon is located in the bottom right corner.

Löse die Fenster



4

A worksheet for solving window puzzles. It features three windows with orange frames and light blue panes. The top-left window has a top-left pane with the number 70. The top-right window has a top-left pane with 610 and a bottom-left pane with 80. The middle window has a top-left pane with 90. Surrounding the windows are ten small square boxes containing numbers: 210 (top), 340 (left), 230 (right), 640 (right), 410 (bottom), 610 (right), 270 (bottom), and 400 (bottom). There are also four empty square boxes: one at the top, one at the bottom, one on the right, and one below the middle window.

Erfinde eigene Fenster



10

A worksheet for creating window puzzles. It features three windows with orange frames and light blue panes. Ten empty square boxes are placed around the windows for numbers: one above the top-left window, one to the left, one to the right, one below, one above the middle window, one to the left, one to the right, one below, one above the top-right window, one to the left, one to the right, and one below. A hammer and wrench icon is located in the bottom right corner.

Löse die Fenster



5

607

60

637

415

325

615

535

625

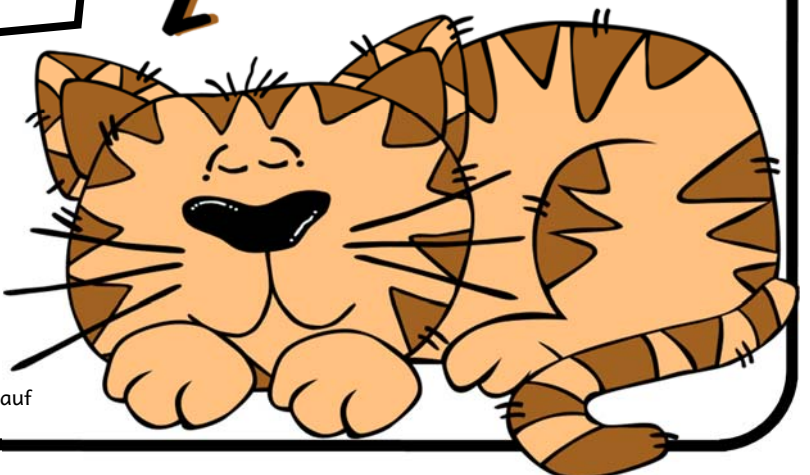
555

72

432

262

Puh!
Das war anstrengend.
Brauchst du jetzt eine Pause?
Es gibt von mir noch
viele weitere Hefte
mit tollen Aufgaben!
So wirst auch du zur
Mathe-Katze!
Deine Mia



OPEN EDUCATIONAL RESOURCES

Dieses Heft wurde von Florian Emrich erstellt und auf wiki.zum.de unter cc-by 4.0 veröffentlicht